

SMS-STR

Open-Structure Masking Speaker



V20191120



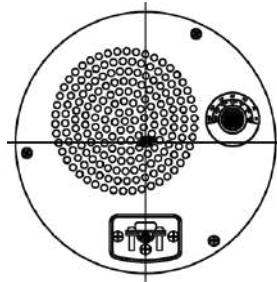
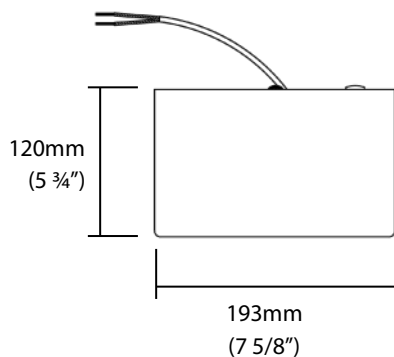
SMS-STR

Sound Masking System Structure Loudspeaker

The SMS-STR loudspeaker is designed to generate the optimum masking sound for a variety of ceiling conditions. It's typically used in open ceiling configuration but it can also be installed in the plenum space, suspended between the acoustical tiles and the deck.

Specifications

Power	10W
Line Voltage	25 V / 70 V
Sensitivity	92 dB
Enclosure Material	Painted 19 gauge steel
Frequency Response	100 Hz to 10 kHz
Connectors	120 mm (4 ¾") wire lead
Driver	13 cm (5") full range
Color	White (RAL9016) or Black (RAL9011)
Anchor Device	10 mm hook at the center
Seismic Security	3x 5mm holes on the top edge
Certification	UL 60065 / UL2043
Chicago CCEA approved	Yes – CCEA version available
Weight	1.9 kg (4.2 lbs)
Shipping Weight	2.3 kg (5.1 lbs)
Box Dimensions	26 x 26 x 15cm (10¼ x 10¼ x 6")



SMS-SURF4

Surface-mounted Sound Masking Speaker



V20190725

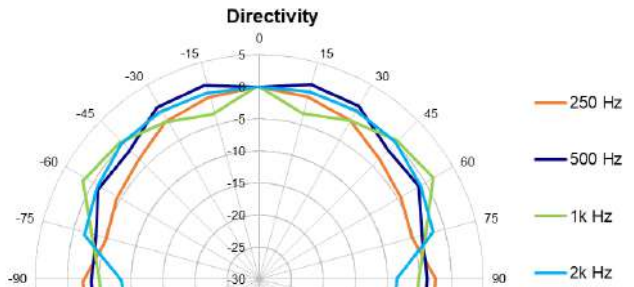
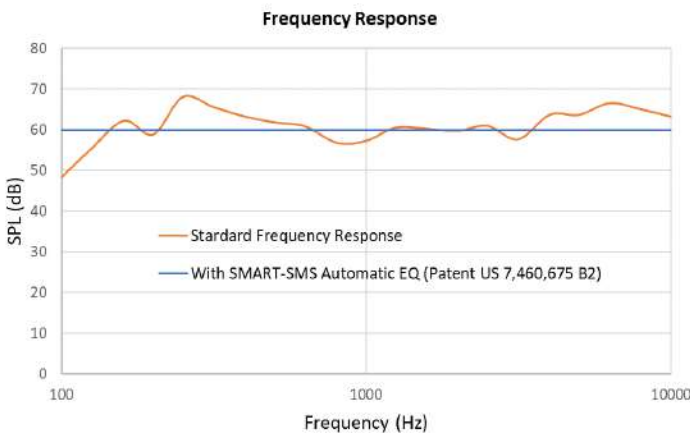


SMS-SURF4

Sound Masking System Surface Loudspeaker

The SMS-SURF4 is a compact sound masking and paging speaker designed for flush-mounted applications on ceiling tiles or drywall ceilings. It can be powered by a constant voltage amplifier unit of 25 or 70 Volts and many speaker units can be daisy chained for greater sound masking and paging coverage.

Specifications	
Max Power	10W
Sensitivity	87 dB
Enclosure Material	Steel
Frequency Response	100 Hz to 10 kHz
Connector	Screw Terminal Block
Output Power Selection	4w, 2W, 1W, 1/2w
Driver	9,5 cm (4") full range
Certification	UL 62368 / UL 2043
Chicago CCEA approved	Yes – CCEA version available
Color	White (RAL9016) or Black (RAL9011)
Weight	1.2 kg (2.6 lbs)
Shipping Weight	1.6 kg (3.5 lbs)
Box Dimensions	17 x 17 x 18 cm (6¾" x 6¾" x 7")
Attachment	2 Spring
Recommended hole size	100mm (4")



SMS-HDN

HIDDEN Sound Masking Speaker



SMS-HDN

Hidden Sound Masking Speaker for Closed Offices and Hard Ceiling Areas

Hidden within the plenum and mounted to the back of suspended ceiling tiles or gypsum board drop ceilings, the SMS-HDN converts these ceiling surfaces into large loudspeakers, providing an impressively diffuse and clear sound field.

When used in closed offices, the SMS-HDN speaker allows for independent volume control of the masking sound between adjacent offices or open areas. This solves the problem of masking sound leakage between adjacent areas through the open plenum.

The SMS-HDN is also an improved alternative to surface-mounted speakers in the case of gypsum, wood or any drop ceilings. Unlike surface or direct-field speakers, the SMS-HDN does not create acoustical hot spots, providing a significantly more diffuse sound field for excellent sound masking uniformity.

The SMS-HDN provides an innovative alternative to surface speakers to obtain uniform sound masking, clear paging & music, and without any compromise on the esthetic of the ceiling.

Specifications	
Power	5W
Line Voltage	25 V
Enclosure Material	Fireproof Lexan UL-94-V0
Frequency Response	100 Hz to 10 kHz
Output Level (W/m)	70 dBA ¹
Connectors	Screw-On
Driver	Vibration Exciter
Level Adjustment	Sliding switch 0 to -6 dB; -1.5 dB step
Max Speakers/Channel	ML-SL Controllers: 4/ch RL96/CMS-II Controllers: 6/ch
Certification	UL2043
Mounting	Adhesive ²
Color	White (RAL9016)
Weight	0.47 kg (1.0 lbs)
Overall Dimension	18 x 14.8 x 5.5 cm (7 x 57/8 x 21/8)
Shipping Weight	0.55 kg (1.2 lbs)
Box Dimensions	21.5 x 17 x 8 cm (7 x 6½ x 3¼")

1-Typical value for gypsum board

2-Construction adhesive; 3M spray can also be used on clean surface.

