

WPC Louver

Wood Plastic Composite Infosheet



WPC Louver

“ WPC Louver is made out of Wood Powder with Plastic Composite. It is a sleek new interior finishes that can be used as a decorative material with sound diffusing properties. Because the products contain wood powder and plastic, WPC surface gather the advantages of having a natural wood grain surface treatment. Applicable for indoor wall cladding that reflects the simplicity of linear styles, WPC makes up for a beautiful interior facade that is sure to elevate any space.



FEATURES

- Environmentally conscious product
- A wide range of colour finishing
- Easily retrofitted to existing spaces
- Lightweight and easy onsite handling
- Improving internal environment by lowering reverberation and background noise
- Acts as a feature element or a subtle backdrop

WPC Louver

Product Specifications

Specifications

Product Name: Wood Plastic Composite Panels

Composition: 70% Wood with (min50% +/-) Polyethylene

Dimensions: 1300x3000

Flame Spread and Smoke Development Test Data

Class A or Class 1

Environmental

100% non-toxic, non formaldehyde,

Environmental friendly

Water proof, Termite proof

No cracking, Impact resistance

Applications

Wall and Ceiling Cladding

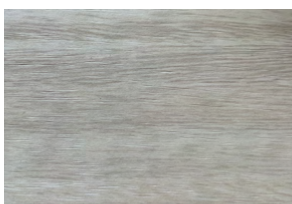
Surface Treatment

Normal, Wood grain, Embossing, Brush

Properties



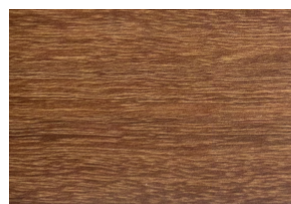
Finishes Available:



LWP1009 EBONY



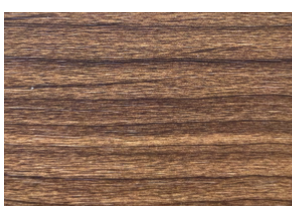
LWP100 OAK



LWP1007 TEAK



LWP1004 CEDAR



LWP1005 WALNUT



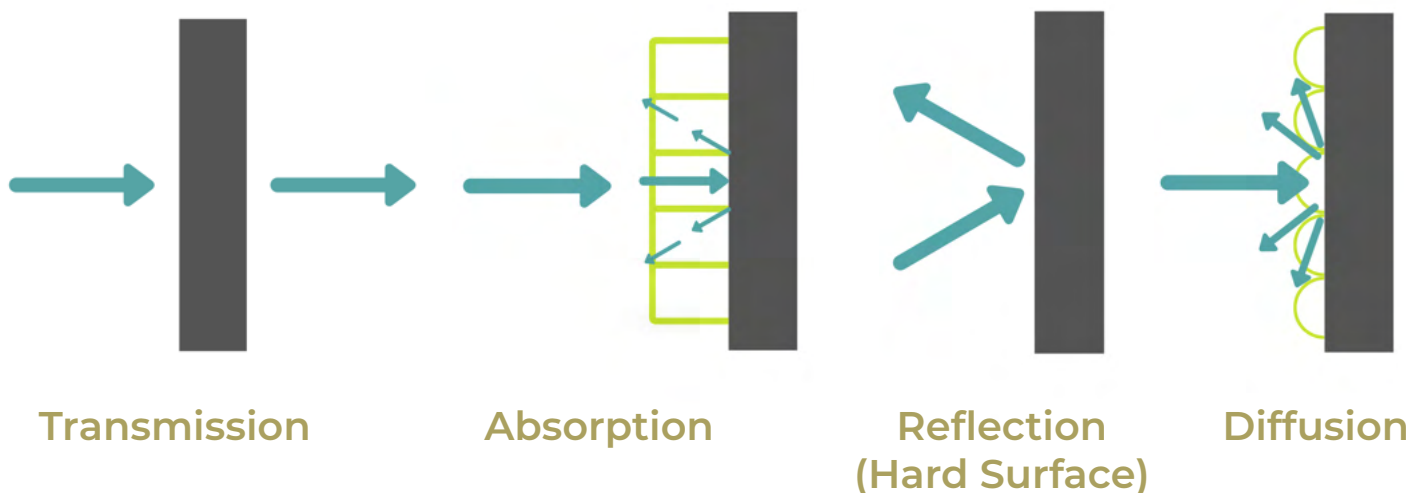
LWP1012 SULAWESI

Actual colour may vary, please request for physical samples of product. Contact our design team for custom applications or visit our website at www.alfadb.net

WPC Louver

Acoustical Info

SOUND INTERACTION WITH SURFACE



Acoustic diffusion is the process of breaking up high frequencies that would normally reflect around the room in a directional manner, instead of scattering more evenly throughout the space.

Proper placement of diffusion panels help improve the stereo imaging in your mixing position, and will generally help balance out the sound all around the room.

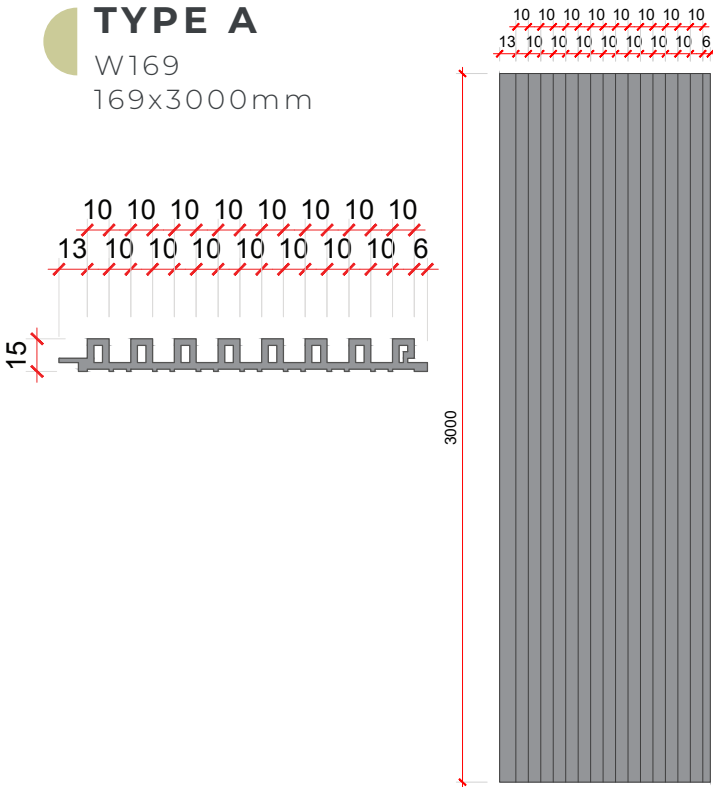
Within a space, adding diffusor panels will make up for a consistent, sonically-balanced space making it possible to have a more pleasing sense of room ambience.

WPC Louver

Product Range & Dimensions

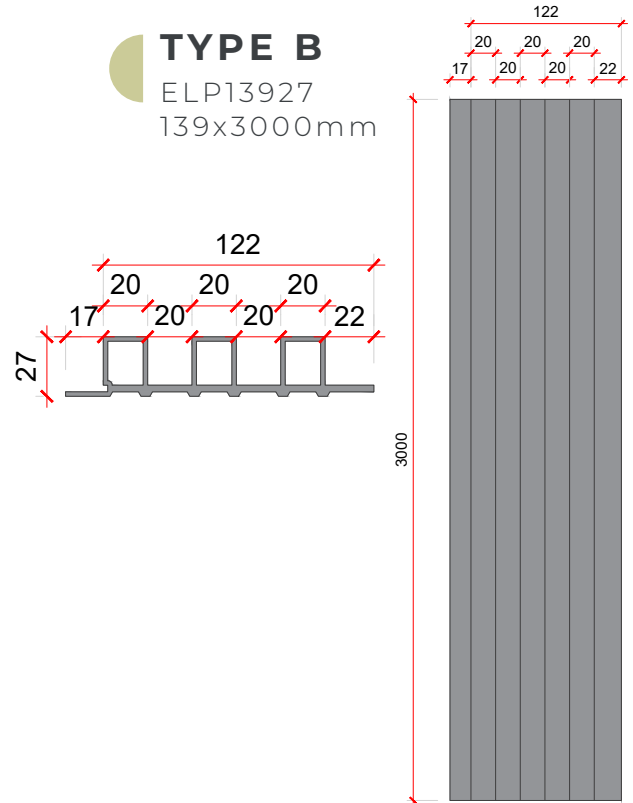
TYPE A

W169
169x3000mm



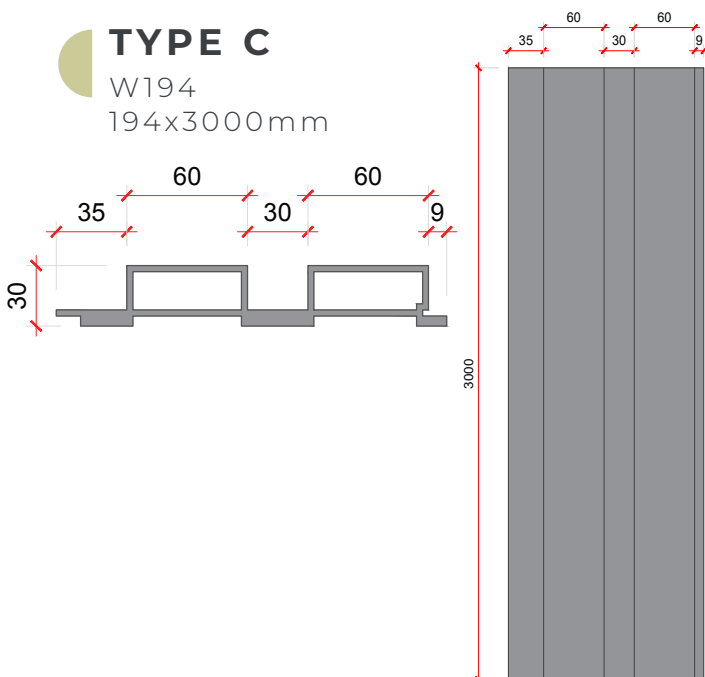
TYPE B

ELP13927
139x3000mm



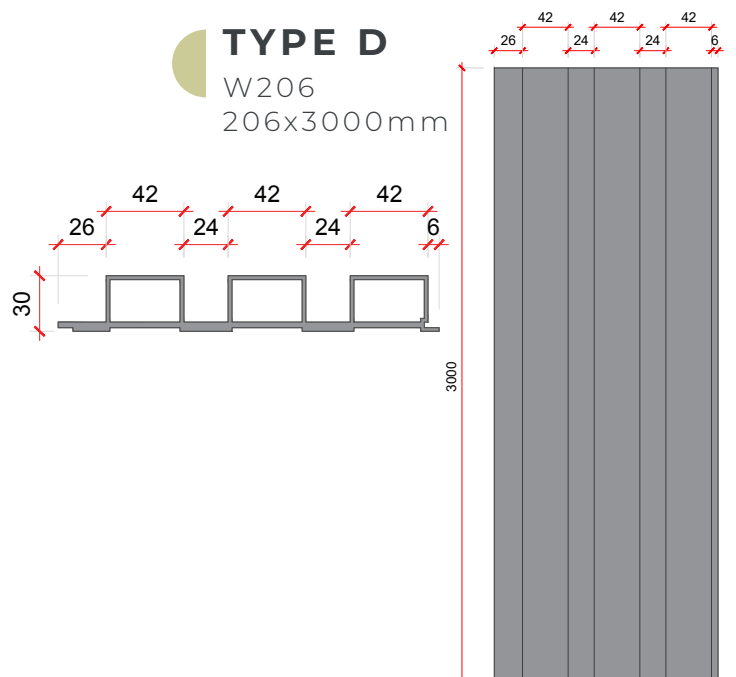
TYPE C

W194
194x3000mm



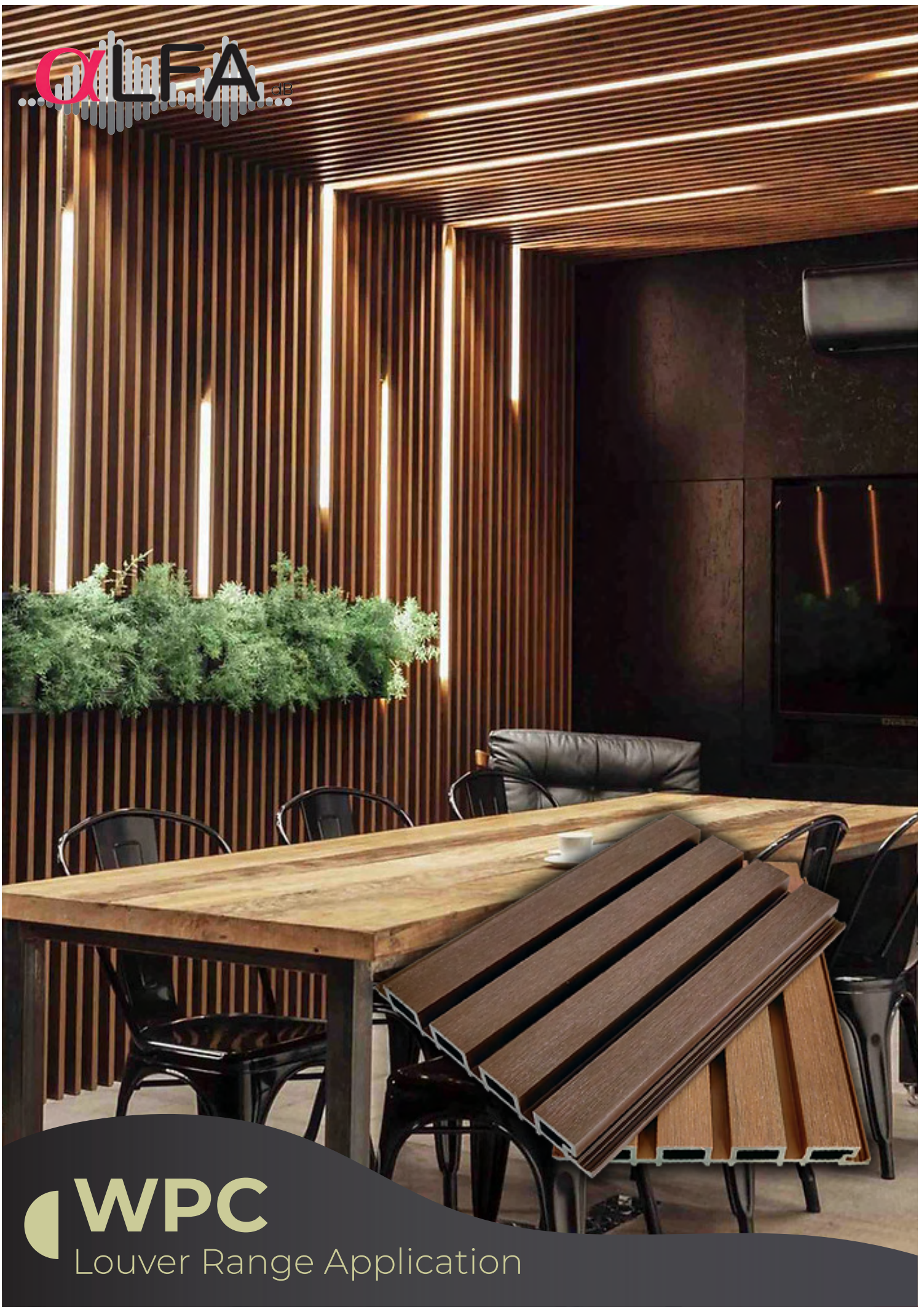
TYPE D

W206
206x3000mm





WPC
Louver Range Application



WPC
Louver Range Application

Get in touch with us



YOUTUBE
ALFA dB



FACEBOOK
www.facebook.com/alfadb.net



INSTAGRAM
[alfadb.my](https://www.instagram.com/alfadb.my)

Website

www.alfadb.net

Email address

info@alfadb.net

Contact number

+60 13 329 9960
+60 10 385 9960
+603 5102 9304 (Design Studio)

Alfa Soundscape & Design Sdn Bhd Main Office

No 32A-1, Jalan Putra Mahkota 7/4B, Putra Heights,
47650, Subang Jaya Selangor, Malaysia

Alfa Soundscape Malaysia Design Studio

No 25-G, Jalan Putra Mahkota 7/4A, Putra Heights,
47650, Subang Jaya Selangor, Malaysia

Alfa Soundscape Sweden Sound Lab

Braxengatan 5, 222
71, Lund Sweden

